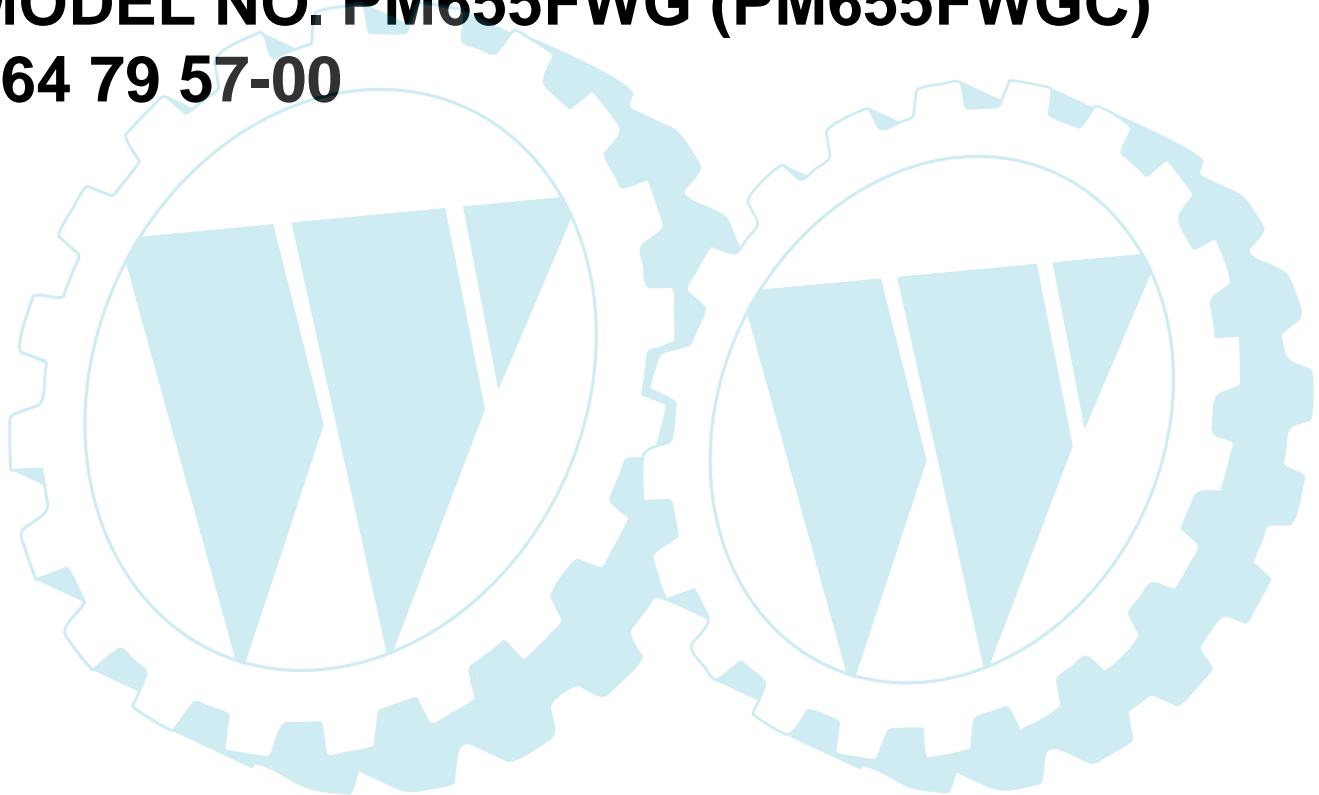
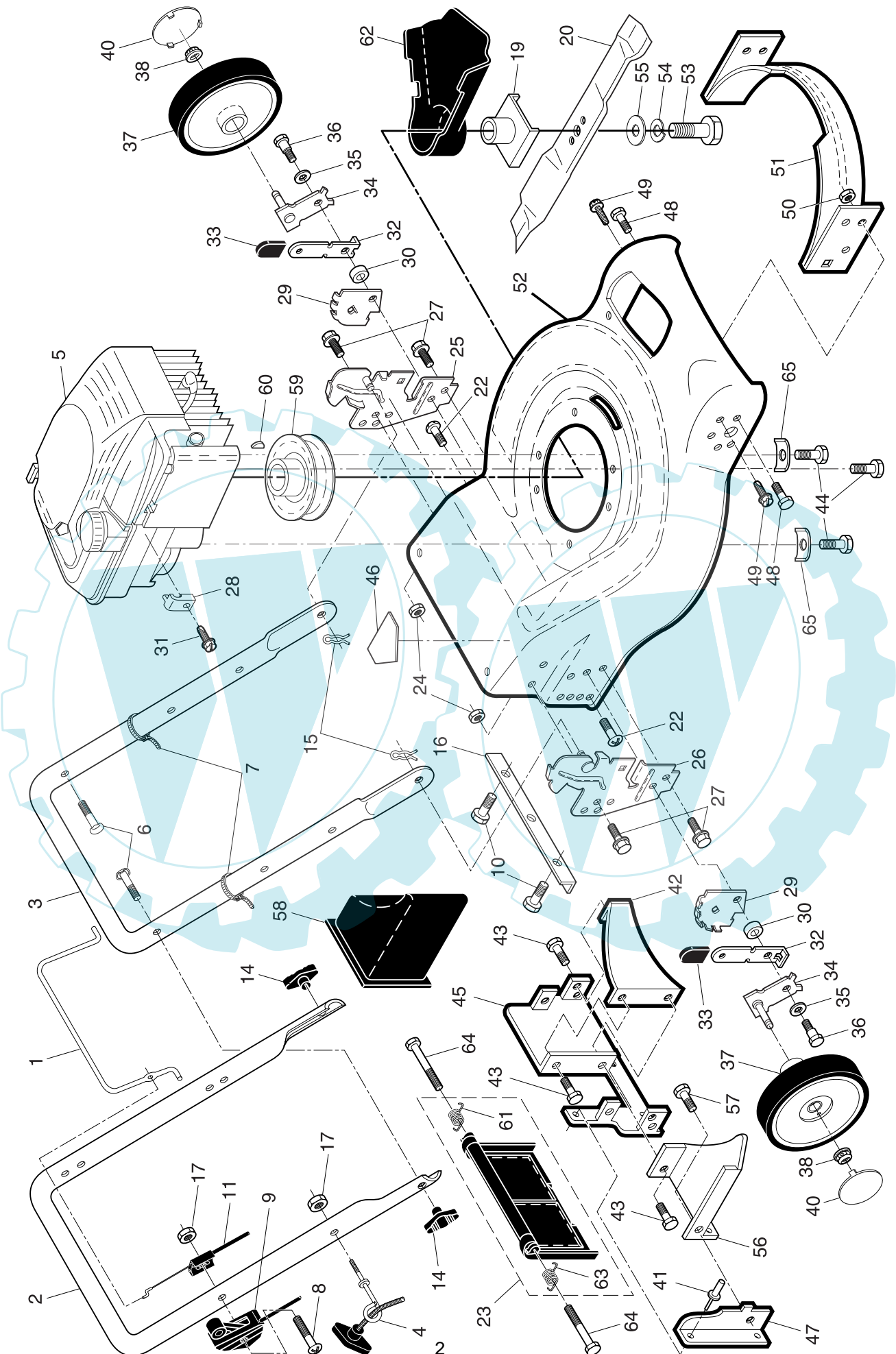


ILLUSTRATED PARTS BREAKDOWN

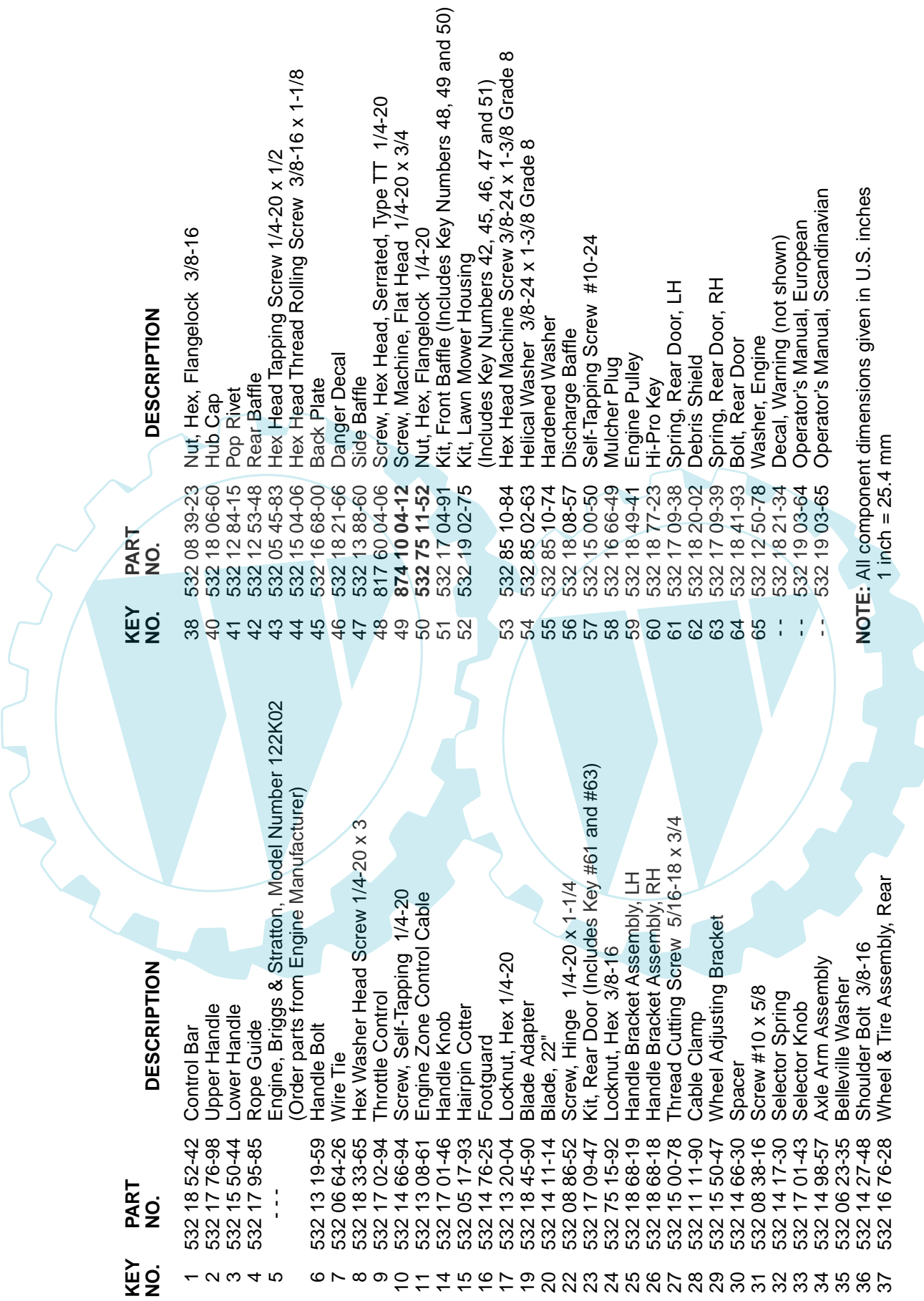
**PRO MAC
6.0 HORSEPOWER
22" REAR DISCHARGE LAWN MOWER
MODEL NO. PM655FWG (PM655FWGC)
964 79 57-00**



ROTARY LAWN MOWER -- MODEL NUMBER PM655FWG (PM655FWGC) PRODUCT NUMBER 964 79 57-00



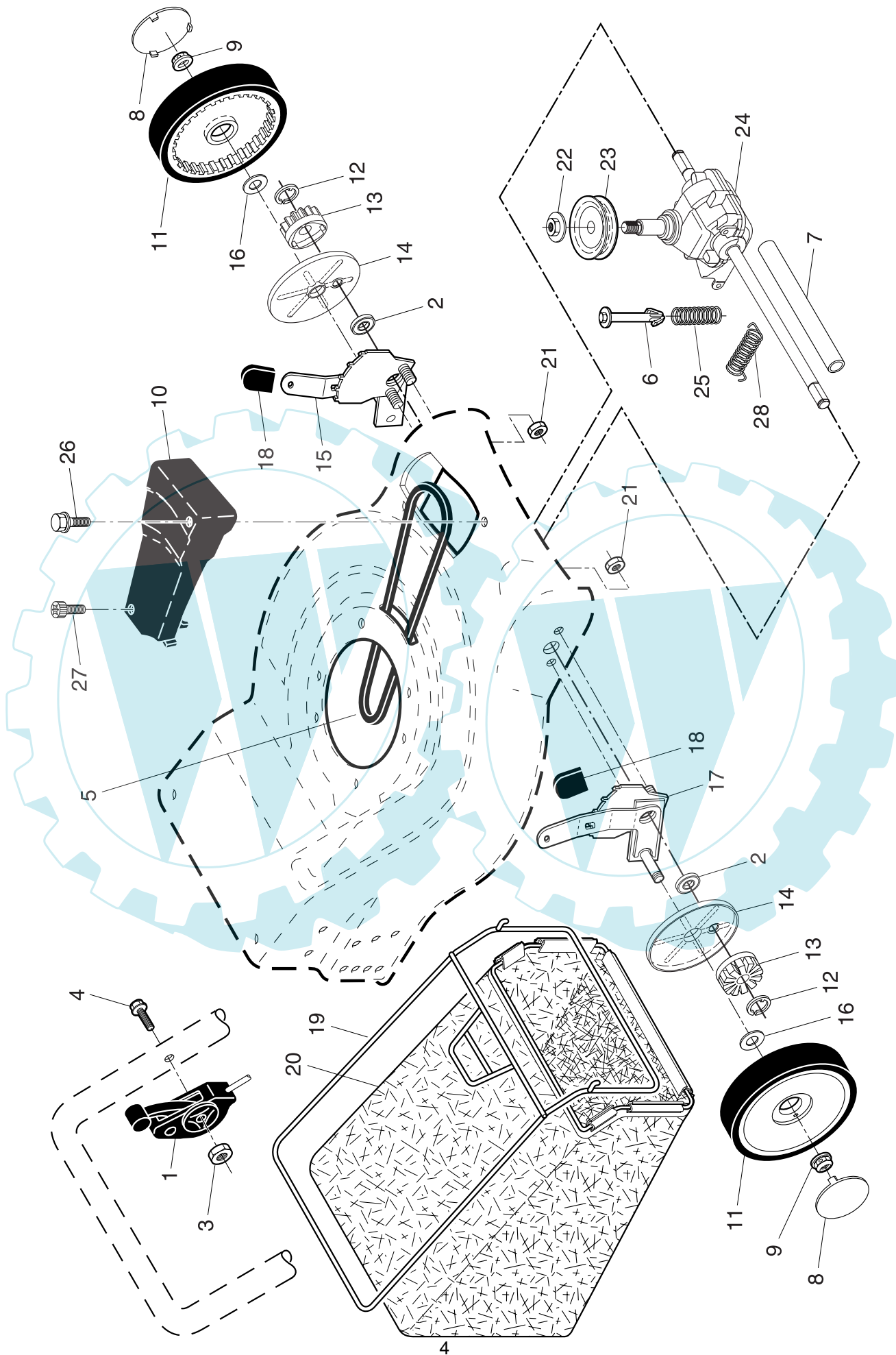
ROTARY LAWN MOWER - - MODEL NUMBER PM655FWG (PM655FWGC) PRODUCT NUMBER 964 79 57-00



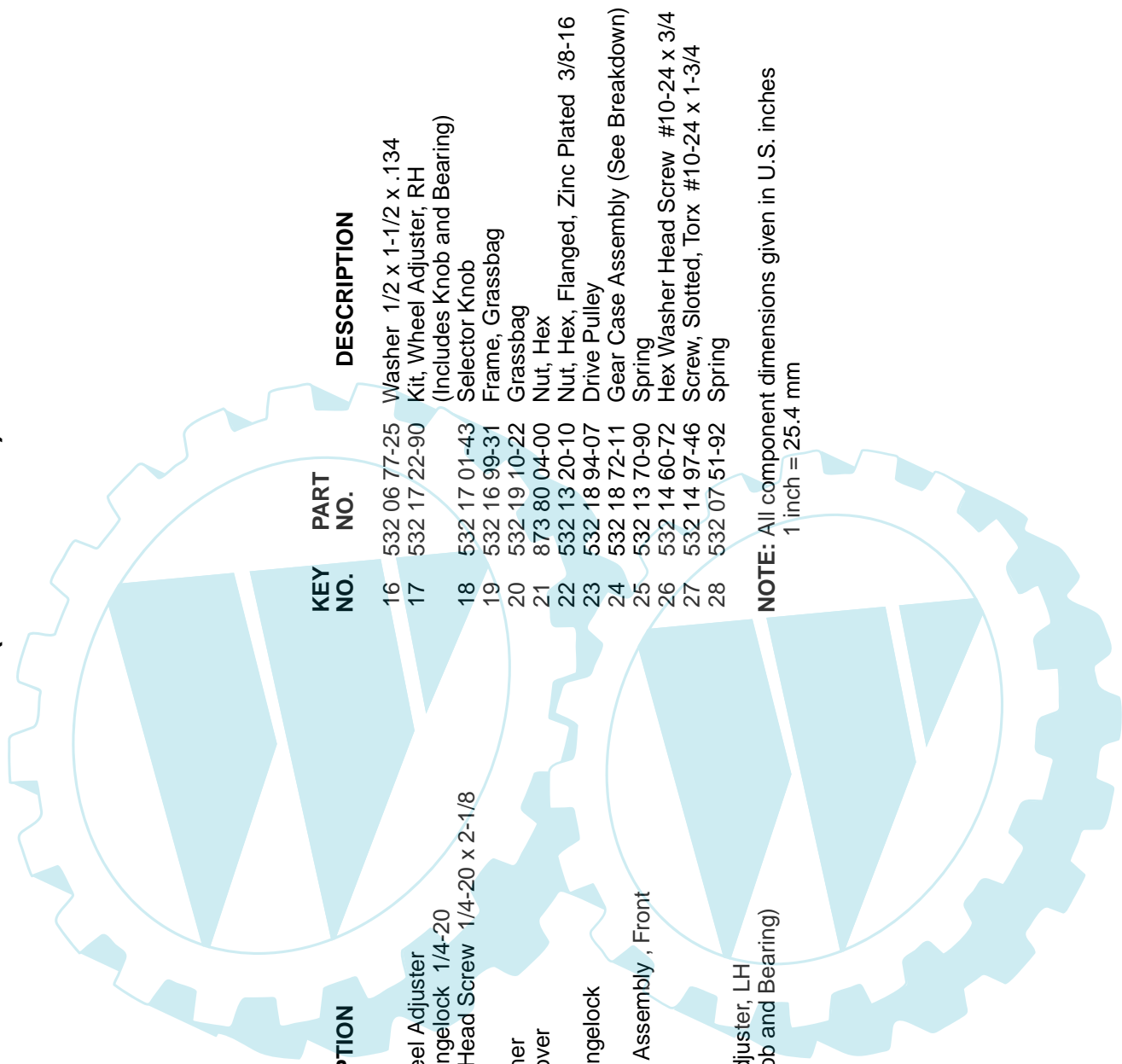
| KEY NO. | PART NO. | DESCRIPTION | KEY NO. | PART NO. | DESCRIPTION |
|---------|--------------|--|---------|---------------------|---|
| 1 | 532 18 52-42 | Control Bar | 38 | 532 08 39-23 | Nut, Hex, Flangelock 3/8-16 |
| 2 | 532 17 76-98 | Upper Handle | 40 | 532 18 06-60 | Hub Cap |
| 3 | 532 15 50-44 | Lower Handle | 41 | 532 12 84-15 | Pop Rivet |
| 4 | 532 17 95-85 | Rope Guide | 42 | 532 12 53-48 | Rear Baffle |
| 5 | --- | Engine, Briggs & Stratton, Model Number 122K02 (Order parts from Engine Manufacturer) | 43 | 532 05 45-83 | Hex Head Tapping Screw 1/4-20 x 1/2 |
| 6 | 532 13 19-59 | Handle Bolt | 44 | 532 15 04-06 | Hex Head Thread Rolling Screw 3/8-16 x 1-1/8 |
| 7 | 532 06 64-26 | Wire Tie | 45 | 532 16 68-00 | Back Plate |
| 8 | 532 18 33-65 | Hex Washer Head Screw 1/4-20 x 3 | 46 | 532 18 21-66 | Danger Decal |
| 9 | 532 17 02-94 | Throttle Control | 47 | 532 13 88-60 | Side Baffle |
| 10 | 532 14 66-94 | Screw, Self-Tapping 1/4-20 | 48 | 817 60 04-06 | Screw, Hex Head, Serrated, Type TT 1/4-20 |
| 11 | 532 13 08-61 | Engine Zone Control Cable | 49 | 874 10 04-12 | Screw, Machine, Flat Head 1/4-20 x 3/4 |
| 14 | 532 17 01-46 | Handle Knob | 50 | 532 75 11-52 | Nut, Hex, Flangelock 1/4-20 |
| 15 | 532 05 17-93 | Hairpin Cotter | 51 | 532 17 04-91 | Kit, Front Baffle (Includes Key Numbers 48, 49 and 50) |
| 16 | 532 14 76-25 | Footguard | 52 | 532 19 02-75 | Kit, Lawn Mower Housing (Includes Key Numbers 42, 45, 46, 47 and 51) |
| 17 | 532 13 20-04 | Locknut, Hex 1/4-20 | 53 | 532 85 10-84 | Hex Head Machine Screw 3/8-24 x 1-3/8 Grade 8 |
| 19 | 532 18 45-90 | Blade Adapter | 54 | 532 85 02-63 | Helical Washer 3/8-24 x 1-3/8 Grade 8 |
| 20 | 532 14 11-14 | Blade, 22" | 55 | 532 85 10-74 | Hardened Washer |
| 22 | 532 08 86-52 | Screw, Hinge 1/4-20 x 1-1/4 | 56 | 532 18 08-57 | Discharge Baffle |
| 23 | 532 17 09-47 | Kit, Rear Door (Includes Key #61 and #63) | 57 | 532 15 00-50 | Self-Tapping Screw #10-24 |
| 24 | 532 75 15-92 | Locknut, Hex 3/8-16 | 58 | 532 16 66-49 | Mulcher Plug |
| 25 | 532 18 68-19 | Handle Bracket Assembly, LH | 59 | 532 18 49-41 | Engine Pulley |
| 26 | 532 18 68-18 | Handle Bracket Assembly, RH | 60 | 532 18 77-23 | Hi-Pro Key |
| 27 | 532 15 00-78 | Thread Cutting Screw 5/16-18 x 3/4 | 61 | 532 17 09-38 | Spring, Rear Door, LH |
| 28 | 532 11 11-90 | Cable Clamp | 62 | 532 18 20-02 | Debris Shield |
| 29 | 532 15 50-47 | Wheel Adjusting Bracket | 63 | 532 17 09-39 | Spring, Rear Door, RH |
| 30 | 532 14 66-30 | Spacer | 64 | 532 18 41-93 | Bolt, Rear Door |
| 31 | 532 08 38-16 | Screw #10 x 5/8 | 65 | 532 12 50-78 | Washer, Engine |
| 32 | 532 14 17-30 | Selector Spring | -- | 532 18 21-34 | Decal, Warning (not shown) |
| 33 | 532 17 01-43 | Selector Knob | -- | 532 19 03-64 | Operator's Manual, European |
| 34 | 532 14 98-57 | Axle Arm Assembly | -- | 532 19 03-65 | Operator's Manual, Scandinavian |
| 35 | 532 06 23-35 | Belleville Washer | | | |
| 36 | 532 14 27-48 | Shoulder Bolt 3/8-16 | | | |
| 37 | 532 16 76-28 | Wheel & Tire Assembly, Rear | | | |

NOTE: All component dimensions given in U.S. inches
1 inch = 25.4 mm

ROTARY LAWN MOWER -- MODEL NUMBER PM655FWG (PM655FWGC) PRODUCT NUMBER 964 79 57-00



ROTARY LAWN MOWER - - MODEL NUMBER PM655FWG (PM655FWGC) PRODUCT NUMBER 964 79 57-00



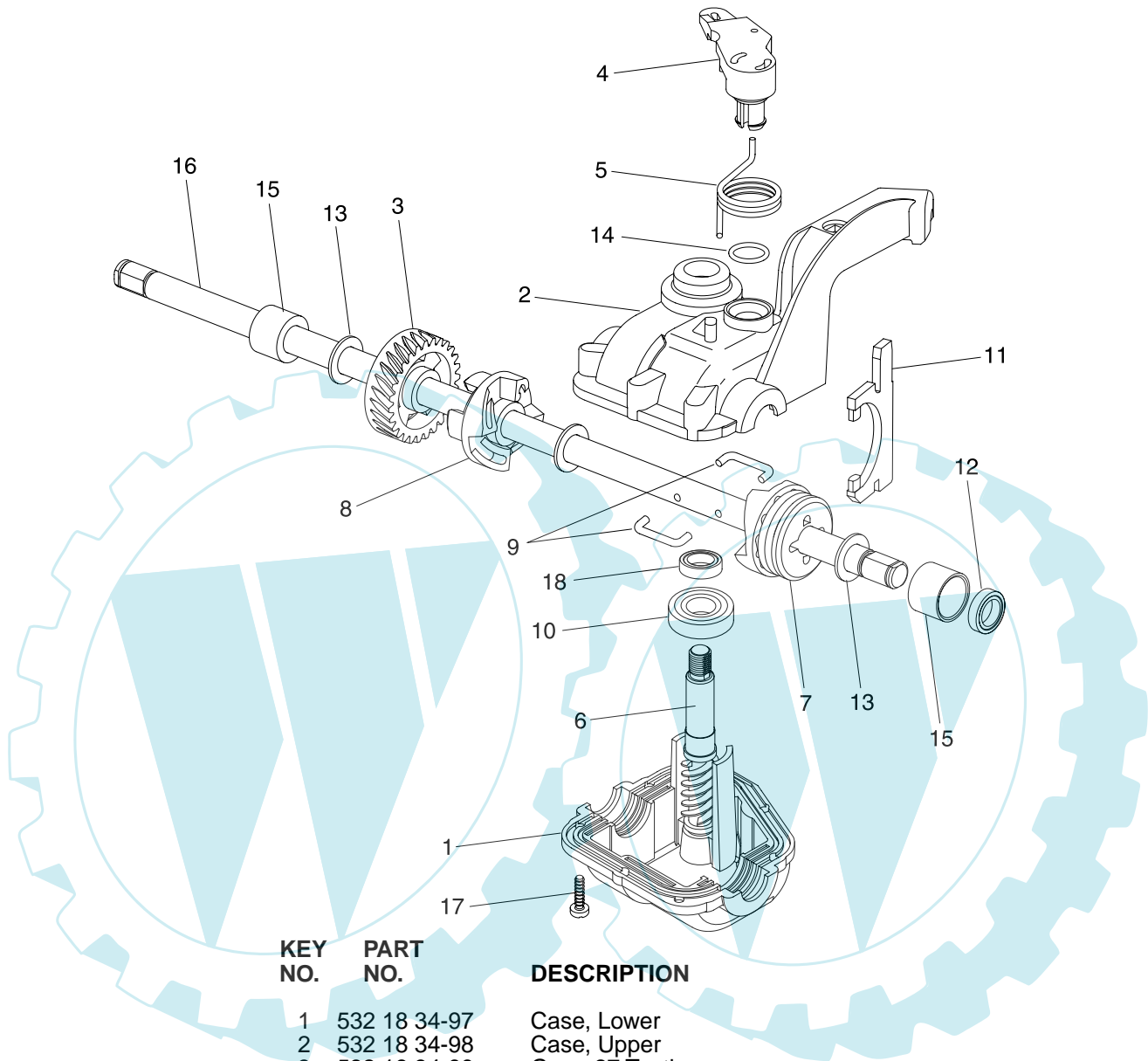
| KEY NO. | PART NO. | DESCRIPTION | KEY NO. | PART NO. | DESCRIPTION |
|---------|--------------|---|---------|--------------|---|
| 1 | 532 18 45-87 | Drive Control | 16 | 532 06 77-25 | Washer 1/2 x 1-1/2 x .134 |
| 2 | 532 16 73-87 | Bearing, Wheel Adjuster | 17 | 532 17 22-90 | Kit, Wheel Adjuster, RH (Includes Knob and Bearing) |
| 3 | 532 75 11-52 | Nut, Hex, Flangelock 1/4-20 | 18 | 532 17 01-43 | Selector Knob |
| 4 | 532 15 87-55 | Hex Washer Head Screw 1/4-20 x 2-1/8 | 19 | 532 16 99-31 | Frame, Grassbag |
| 5 | 532 14 65-27 | V-Belt | 20 | 532 19 10-22 | Grassbag |
| 6 | 532 15 04-95 | Spring Retainer | 21 | 873 80 04-00 | Nut, Hex |
| 7 | 532 08 60-12 | Driveshaft Cover | 22 | 532 13 20-10 | Nut, Hex, Flanged, Zinc Plated 3/8-16 |
| 8 | 532 18 06-60 | Hubcap | 23 | 532 18 94-07 | Drive Pulley |
| 9 | 532 14 52-12 | Nut, Hex, Flangelock | 24 | 532 18 72-11 | Gear Case Assembly (See Breakdown) |
| 10 | 532 17 01-51 | Drive Cover | 25 | 532 13 70-90 | Spring |
| 11 | 532 18 07-67 | Wheel & Tire Assembly, Front | 26 | 532 14 60-72 | Hex Washer Head Screw #10-24 x 3/4 |
| 12 | 812 00 00-58 | E-Ring | 27 | 532 14 97-46 | Screw, Slotted, Torx #10-24 x 1-3/4 |
| 13 | 532 13 70-54 | Pinion | 28 | 532 07 51-92 | Spring |
| 14 | 532 18 05-04 | Dust Cover | | | |
| 15 | 532 17 22-91 | Kit, Wheel Adjuster, LH (Includes Knob and Bearing) | | | |

NOTE: All component dimensions given in U.S. inches
1 inch = 25.4 mm

ROTARY LAWN MOWER - - MODEL NUMBER PM655FWG (PM655FWGC)

PRODUCT NUMBER 964 79 57-00

GEAR CASE ASSEMBLY - PART NUMBER 532 18 72-11



| KEY NO. | PART NO. | DESCRIPTION |
|---------|--------------|--------------------|
| 1 | 532 18 34-97 | Case, Lower |
| 2 | 532 18 34-98 | Case, Upper |
| 3 | 532 18 34-99 | Gear, 27 Teeth |
| 4 | 532 18 35-00 | Lever, Clutch |
| 5 | 532 18 35-01 | Spring, Return |
| 6 | 532 18 35-02 | Shaft, Input |
| 7 | 532 18 35-03 | Dog, Movable |
| 8 | 532 18 35-04 | Dog, Fixed |
| 9 | 532 18 35-05 | Wire, Formed |
| 10 | 532 18 35-06 | Bearing, Ball |
| 11 | 532 18 35-07 | Fork, Shift |
| 12 | 532 18 35-08 | Seal, Output Shaft |
| 13 | 532 18 35-09 | Washer |
| 14 | 532 18 35-10 | Seal, Case |
| 15 | 532 18 35-11 | Bushing |
| 16 | 532 18 75-21 | Shaft, Output |
| 17 | 532 18 35-13 | Screw |
| 18 | 532 18 35-14 | Seal, Input Shaft |

NOTE: Use Dow Corning #709 to reseal Gear Case Halves.

NOTE: All component dimensions given in U.S. inches.
1 inch = 25.4 mm